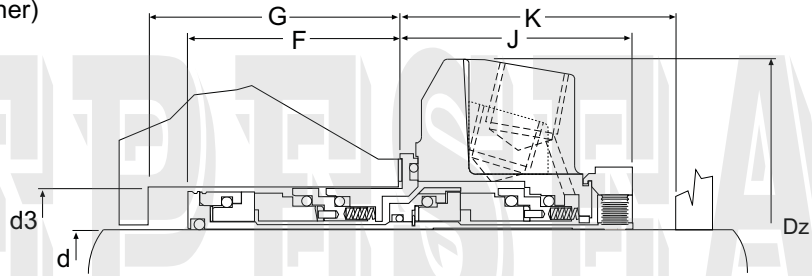
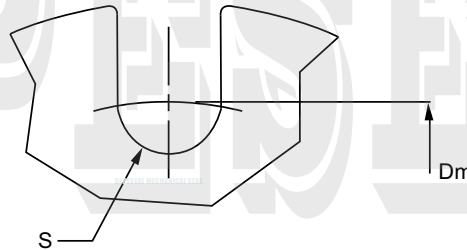
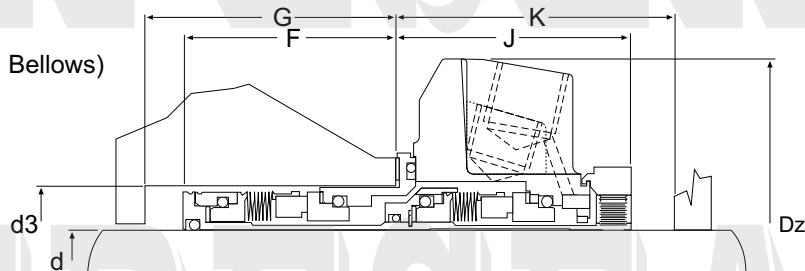


ISC Series Replacement Of Flowserve ISC

ISC2-DP(Dual Pusher)

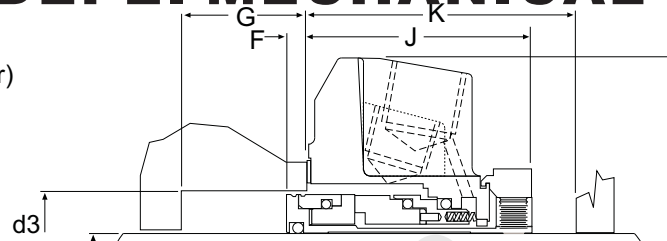


ISC2-DM(Dual Metal Bellows)

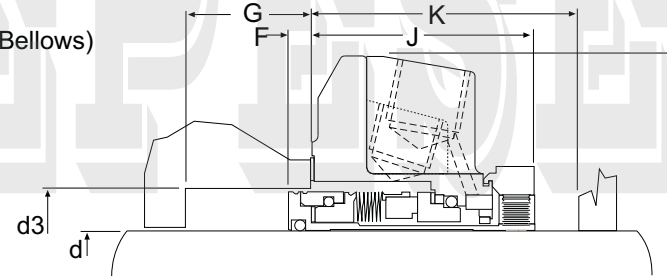


d	d3		Dz	F	G	J	K	Dm	S
Shaft & Seal Size	Box Bore		Gland OD	Seal Depth	Box Depth (Min)	Seal Extension	Dist. to Obst. (Min)	Bolt Circle	Bolt Slot Dia.
	(Min)	(Max)							
1.000	1.625	1.875	3.69 - 3.75	1.838	1.900	2.062	2.124	2.750	0.440
1.125	1.750	2.000	3.69 - 3.75	1.838	1.900	2.062	2.124	2.875	0.440
1.250	1.890	2.245	4.19 - 4.25	1.838	1.900	2.062	2.124	3.125	0.562
1.375	2.000	2.375	4.32 - 4.38	1.838	1.900	2.062	2.124	3.250	0.440
1.437	2.250	2.688	4.72 - 4.78	1.903	1.965	2.122	2.184	3.750	0.560
1.500	2.250	2.525	4.69 - 4.75	1.903	1.965	2.122	2.184	3.750	0.560
1.625	2.375	2.780	4.69 - 4.75	1.903	1.965	2.122	2.184	3.750	0.560
1.750	2.500	2.875	4.94 - 5.00	1.903	1.965	2.122	2.184	3.875	0.560
1.875	2.625	2.875	4.94 - 5.00	1.903	1.965	2.122	2.184	3.875	0.560
1.937	2.750	2.030	5.09 - 5.15	1.903	1.965	2.122	2.184	4.120	0.688
2.000	2.750	3.030	5.09 - 5.15	1.903	1.965	2.122	2.184	4.120	0.688
2.125	2.875	3.125	5.94 - 6.00	1.903	1.965	2.122	2.184	4.250	0.750
2.250	3.000	3.318	5.94 - 6.00	1.903	1.965	2.122	2.184	4.40	0.750
2.375	3.125	3.687	6.32 - 6.38	1.903	1.965	2.122	2.184	4.875	0.750
2.437	3.375	3.687	6.32 - 6.38	1.934	1.996	2.091	2.153	4.875	0.750
2.500	3.375	3.687	6.32 - 6.38	1.903	1.965	2.122	2.184	4.875	0.750
2.625	3.625	4.312	7.19 - 7.25	2.429	2.491	2.906	2.968	5.625	0.880
2.750	3.750	4.312	7.19 - 7.25	2.429	2.491	2.906	2.968	5.625	0.880

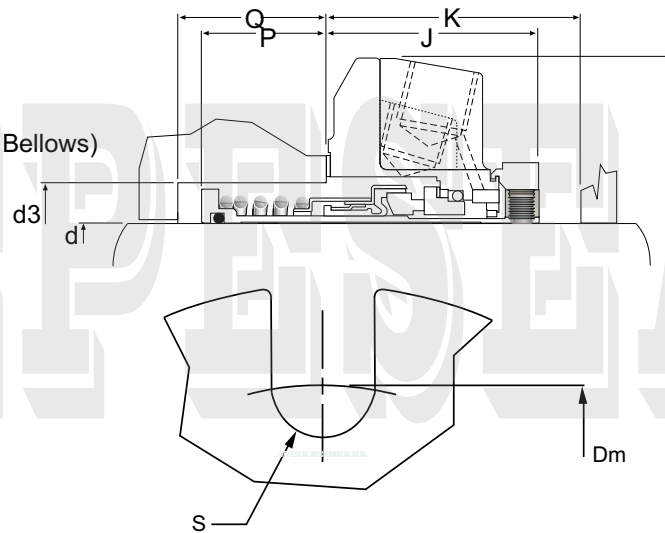
ISC1-SP(Single Pusher)



ISC1-SM(Single Metal Bellows)

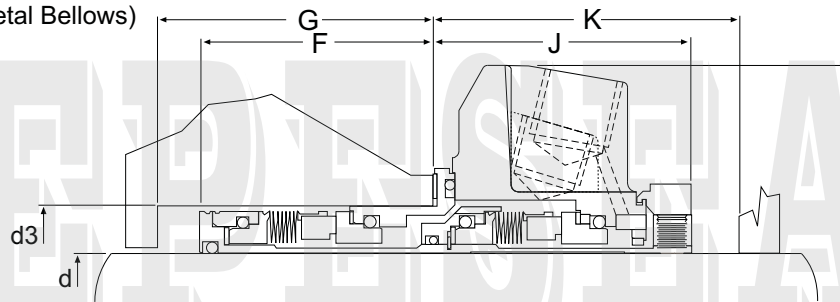


ISC1-SE(Single Elastomer Bellows)

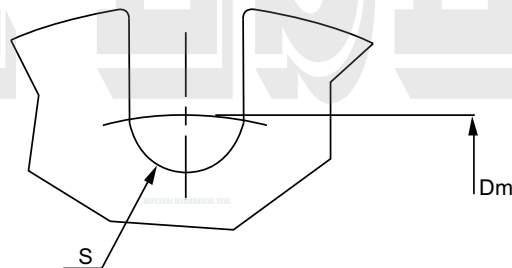
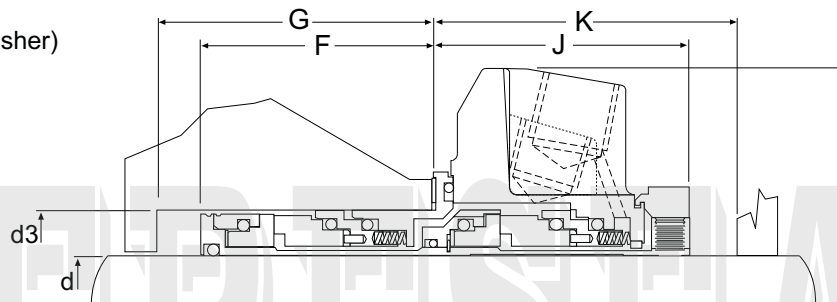


d	d3		E	F	G	J	K	Dm	S	P	Q
Shaft & Seal Size	Box Bore (Min) (Max)		Gland OD	Seal Depth	Box Depth (Min)	Seal Extension	ObstDist.to (Min)	Bolt Circle	Bolt Slot Dia.	Seal Depth	Box Depth (Min)
1.000	1.625	1.875	3.69 - 3.75	0.212	0.274	1.913	1.975	2.750	0.440	0.812	0.874
1.125	1.750	2.000	3.69 - 3.75	0.212	0.274	1.913	1.975	2.875	0.440	0.962	1.024
1.250	1.890	2.245	4.19 - 4.25	0.212	0.274	1.913	1.975	3.125	0.562	N/A	N/A
1.375	2.000	2.375	4.32 - 4.38	0.212	0.264	1.913	1.975	3.250	0.440	1.127	1.189
1.437	2.250	2.688	4.72 - 4.78	0.222	0.284	1.958	2.020	3.750	0.560	N/A	N/A
1.500	2.250	2.525	4.69 - 4.75	0.202	0.264	1.973	2.035	3.750	0.560	1.152	1.214
1.625	2.375	2.780	4.69 - 4.75	0.202	0.264	1.973	2.035	3.750	0.560	1.152	1.214
1.750	2.500	2.875	4.94 - 5.00	0.202	0.264	1.973	2.035	3.875	0.560	1.152	1.214
1.875	2.625	2.875	4.94 - 5.00	0.202	0.264	1.973	2.035	3.875	0.560	1.153	1.214
1.937	2.750	3.030	5.09 - 5.15	0.202	0.264	1.973	2.035	4.120	0.688	N/A	N/A
2.000	2.750	3.030	5.09 - 5.15	0.202	0.264	1.973	2.035	4.120	0.688	1.152	1.214
2.125	2.875	3.125	5.94 - 6.00	0.202	0.264	1.973	2.035	4.250	0.750	1.092	1.154
2.250	3.000	3.318	5.94 - 6.00	0.206	0.268	1.973	2.035	4.440	0.750	N/A	N/A
2.375	3.125	3.687	6.32 - 6.38	0.202	0.264	1.973	2.035	4.875	0.750	1.287	1.349
2.437	3.375	3.687	6.32 - 6.38	0.233	0.295	1.942	2.004	4.875	0.750	N/A	N/A
2.500	3.375	3.687	6.32 - 6.38	0.202	0.264	1.973	2.035	4.875	0.750	1.287	1.349
2.625	3.625	4.312	7.19 - 7.25	0.204	0.266	2.726	2.788	5.625	0.880	1.129	1.191
2.750	3.750	4.312	7.19 - 7.25	0.204	0.266	2.726	2.788	5.625	0.880	1.129	1.191

ISC2-DM(Dual Metal Bellows)

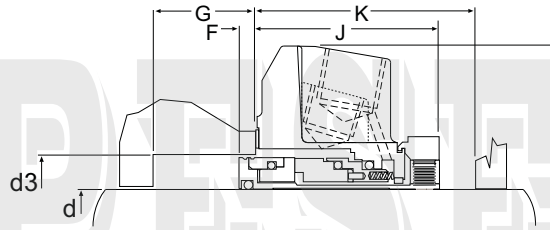


ISC2-DP(Dual Pusher)

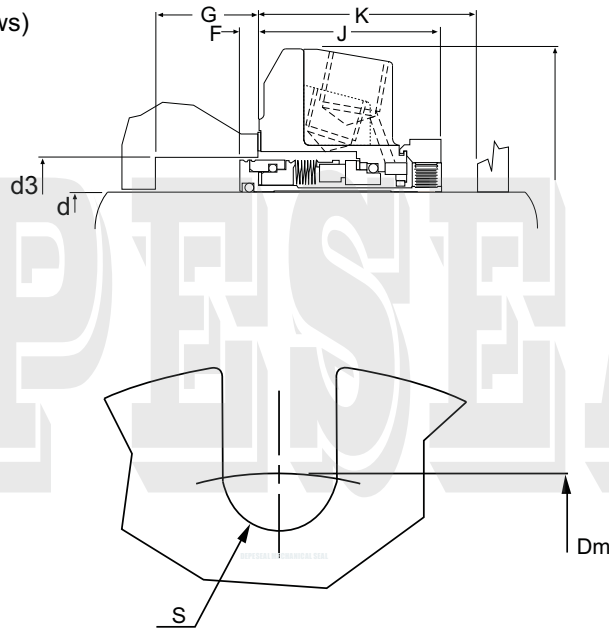


d	d3		E	F	G	J	K	Dm	S
Shaft & Seal Size	Box Bore		Gland OD (Min)	Seal Depth	Box Depth (Min)	Seal Extension	Dist. Obst. Dia.	to Bolt Circle	Bolt Slot
25	41.28	47.50	93.7 - 95.3	46.69	48.26	52.37	53.95	69.85	11.18
28	44.45	50.80	93.7 - 95.3	46.69	48.26	52.37	53.95	73.03	11.18
30	48.01	57.02	106.4 - 108.0	46.69	48.26	52.37	53.95	79.38	14.27
33	50.80	60.33	109.7 - 111.3	46.69	48.26	52.37	53.95	82.55	14.27
35	50.80	60.33	109.7 - 111.3	46.69	48.26	52.37	53.95	82.55	14.27
38	57.15	64.14	119.1 - 120.7	48.34	49.91	53.90	55.47	95.25	14.27
40	60.33	70.61	119.1 - 120.7	48.34	49.91	53.90	55.47	95.25	14.27
43	63.50	73.03	125.5 - 127.0	48.34	49.91	53.90	55.47	98.43	14.27
45	66.68	73.03	125.5 - 127.0	48.34	49.91	53.90	55.47	98.43	14.27
48	67.06	73.41	136.4 - 137.9	48.34	49.91	53.90	55.47	97.99	14.27
50	69.85	76.96	127.0 - 130.0	48.34	49.91	53.90	55.47	104.65	17.48
53	73.03	79.38	150.9 - 152.4	48.34	49.91	53.90	55.47	112.78	19.05
55	79.38	93.65	160.5 - 162.1	48.34	49.91	53.90	55.47	123.83	19.05
60	79.38	94.62	160.5 - 162.1	48.34	49.91	53.90	55.47	123.83	19.05
65	89.92	98.81	179.5 - 181.0	45.06	46.63	57.20	58.78	127.00	17.48
70	95.25	109.52	182.6 - 184.2	61.70	63.27	73.81	75.39	142.88	22.35

ISC1-SP(Single Pusher)



ISC1-SM(Single Metal Bellows)



d	d3		E	F	G	J	K	Dm	S
Shaft & Seal Size	Box Bore		Gland OD (Min)	Seal Depth	Box Depth (Min)	Seal Extension	Dist. Obst. Dia.	to Bolt Circle	Bolt Slot
	(Min)	(Max)							
25	41.28	47.50	93.7 - 95.3	5.38	6.96	48.59	50.17	69.85	11.18
28	44.45	50.80	93.7 - 95.3	5.38	6.96	48.59	50.17	73.03	11.18
30	48.01	57.02	106.4 - 108.0	5.38	6.96	48.59	50.17	79.38	14.27
33	50.80	60.33	109.7 - 111.3	5.38	6.96	48.59	50.17	82.55	14.27
35	50.80	60.33	109.7 - 111.3	5.38	6.96	48.59	50.17	82.55	14.27
38	57.15	64.14	119.1 - 120.7	5.38	6.96	50.11	51.69	95.25	14.27
40	60.33	70.61	119.1 - 120.7	5.13	6.71	50.11	51.69	95.25	14.27
43	63.50	73.03	125.5 - 127.0	5.13	6.71	50.11	51.69	98.43	14.27
45	66.68	73.03	125.5 - 127.0	5.13	6.71	50.11	51.69	98.43	14.27
48	67.06	73.41	136.4 - 137.9	5.13	6.71	50.11	51.69	97.99	14.27
50	69.85	76.96	127.0 - 130.0	5.13	6.71	50.11	51.69	104.65	17.48
53	73.03	79.38	150.9 - 152.4	5.13	6.71	50.11	51.69	112.78	19.05
55	79.38	93.65	160.5 - 162.1	5.13	6.71	50.11	51.69	123.83	19.05
60	79.38	94.62	160.5 - 162.1	5.13	6.71	50.11	51.69	123.83	19.05
65	89.92	98.81	179.5 - 181.0	1.93	3.51	53.42	54.99	127.00	17.48
70	95.25	109.52	182.6 - 184.2	5.18	6.76	69.24	70.82	142.88	22.35