

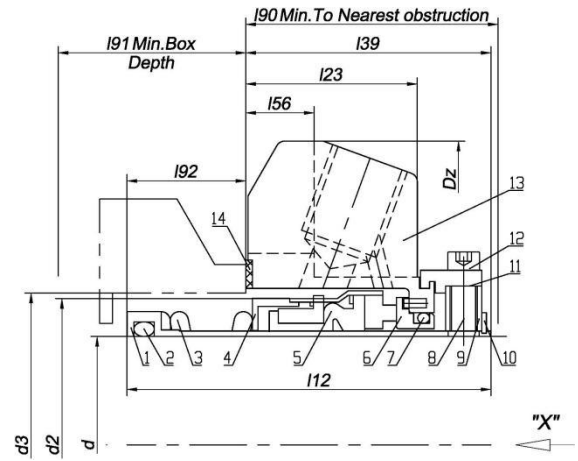
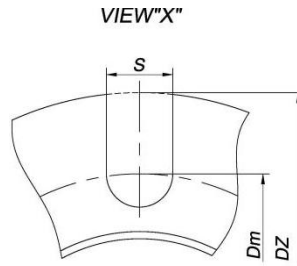
DEPESEAL MECHANICAL SEAL DEPESEAL mechanical sealing

E-JC5611 type, replacement product of John Crane 5611 type

Temperature: -30~+205 °C

Speed: 25m/s

Pressure: 2.8Mpa



- 1 Sleeve
- 2 O-ring
- 3 Spring
- 4 Throw-out ring
- 5 Rubber bellow
- 6 Stationary ring
- 7 O-ring
- 8 Set screw
- 9 Drive ring
- 10 Snap ring
- 11 Fixture
- 12 HSH cap screw
- 13 Gland
- 14 Gasket

d	d2	d4 Min	d4 Max	Dz	I12	I23	I39	I56	I90	I91	I92	Dm	S
1	1.375	1.5	1.889	4	2.739	1.353	1.954	0.531	2	0.91	0.785	2.805	0.525
1.125	1.5	1.625	2.015	4.125	2.595	1.446	2.062	0.531	2.125	0.658	0.533	2.933	0.525
1.25	1.687	1.812	2.294	4.25	2.718	1.446	2.062	0.531	2.125	0.781	0.656	3.213	0.525
1.375	1.812	1.937	2.421	4.375	2.625	1.446	2.062	0.531	2.125	0.688	0.563	3.338	0.525
1.5	2	2.125	2.68	4.875	2.96	1.487	2.125	0.593	2.187	0.96	0.835	3.599	0.525
1.625	2.125	2.25	2.812	5	3.022	1.487	2.125	0.593	2.187	1.022	0.897	3.766	0.562
1.75	2.25	2.375	2.918	5.25	3.038	1.487	2.125	0.593	2.187	1.038	0.913	3.875	0.562
1.875	2.375	2.5	2.918	5.25	3.038	1.487	2.125	0.593	2.187	1.038	0.913	3.875	0.562
2	2.687	2.75	3.015	5.5	3.454	1.601	2.312	1.063	2.375	1.266	1.141	4	0.562
2.125	2.812	2.875	3.36	5.859	3.454	1.601	2.312	0.593	2.375	1.266	1.141	4.469	0.687
2.25	2.75	2.875	3.485	6.5	3.579	1.601	2.312	0.593	2.375	1.391	1.266	4.566	0.687
2.375	3.062	3.125	3.61	6.5	3.468	1.717	2.466	0.625	2.528	1.127	1.002	4.719	0.687
2.5	3.25	3.375	3.891	6.75	3.829	1.717	2.563	0.625	2.625	1.391	1.266	5	0.687
2.625	3.5	3.625	4.062	6.75	3.978	1.625	2.5	0.625	2.562	1.603	1.478	5.17	0.687
2.75	3.5	3.625	4.062	6.75	3.978	1.625	2.5	0.625	2.562	1.603	1.478	5.17	0.687
2.875	3.625	3.695	4.186	7	3.978	1.725	2.5	0.625	2.562	1.603	1.478	5.312	0.687
3	3.937	4	4.469	7.75	4.172	1.787	2.562	0.685	2.625	1.735	1.61	5.72	0.812
3.125	4.062	4.125	4.6	7.875	4.187	1.593	2.562	—	2.687	1.75	1.625	5.845	0.812
3.25	4.062	4.125	4.6	7.437	4.187	1.593	2.51	—	2.635	1.802	1.677	5.845	0.812
3.375	4.312	4.375	4.85	8.125	4.375	1.593	2.562	—	2.687	1.938	1.813	6.095	0.812
3.5	4.437	4.5	4.975	8.25	4.344	1.593	2.562	—	2.687	1.907	1.782	6.22	0.812
3.625	4.562	4.625	5.1	8.375	4.625	1.593	2.562	—	2.687	2.188	2.063	6.25	0.687
3.75	4.632	4.724	5.199	8.75	4.437	1.593	2.562	—	2.687	2	1.875	6.77	0.687
3.875	4.812	4.905	5.375	8.75	4.5	1.593	2.562	—	2.687	2.063	1.938	6.636	0.812
4	4.937	5.031	5.5	9	4.812	1.593	2.562	—	2.687	2.375	2.25	6.761	0.812

d	d2	d4 Min	d4 Max	Dz	I12	I23	I39	I56	I90	I91	I92	Dm	S
24	34.9	38.1	48	101.6	69.6	34.4	49.6	13.5	50.8	23.1	20	71.2	13.3
25	34.9	38.1	48	101.6	69.6	34.4	49.6	13.5	50.8	23.1	20	71.2	13.3
28	38.1	41.3	51.2	104.8	65.9	36.7	52.4	13.5	54	16.7	13.5	74.5	13.3
30	42.8	46	56.5	108	69	36.7	52.4	13.5	54	19.8	16.7	81.6	13.3
32	42.8	46	58.3	108	69	36.7	52.4	13.5	54	19.8	16.7	81.6	13.3
33	46	49.2	61.5	111.1	66.7	36.7	52.4	13.5	54	17.5	14.3	84.8	13.3
35	46	49.2	61.5	111.1	66.7	36.7	52.4	13.5	54	17.5	14.3	84.8	13.3
38	50.8	54	68.1	123.8	75.2	37.8	54	15.1	55.6	24.4	21.2	91.4	13.3
40	54	57.2	71.4	127	76.8	37.8	54	15.1	55.6	26	22.8	95.7	14.3
43	57.2	60.3	74.1	133.4	77.2	37.8	54	15.1	55.6	26.4	23.2	98.4	14.3
45	57.2	60.3	74.1	133.4	77.2	37.8	54	15.1	55.6	26.4	23.2	98.4	14.3
48	60.3	63.5	74.1	133.4	77.2	37.8	54	15.1	55.6	26.4	23.2	98.4	14.3
50	68.2	69.9	76.6	139.7	87.7	40.7	58.7	27	60.3	32.2	29	101.6	14.3
53	71.4	73	85.3	148.8	87.7	40.7	58.7	15.1	60.3	32.2	29	113.5	17.4
55	69.9	73	85.3	148.8	90.9	40.7	58.7	15.1	60.3	35.4	32.2	113.5	17.4
58	69.9	75	88.5	165.1	90.9	40.7	58.7	15.1	60.3	35.4	32.2	116	17.4
60	77.8	79.4	91.7	165.1	88.1	43.6	62.6	15.9	64.2	28.6	25.5	119.9	17.4
63	82.6	85.7	98.8	171.5	97.3	43.6	65.1	15.9	66.7	35.4	32.2	127	17.4
65	82.6	85.7	98.8	171.5	97.3	43.6	65.1	15.9	66.7	35.4	32.2	127	17.4
68	88.9	92.1	103.2	171.5	101	41.2	63.5	15.9	65.1	40.7	37.5	131.3	17.4
70	88.9	92.1	103.2	171.5	101	41.2	63.5	17.4	65.1	40.7	37.5	131.3	17.4
75	100	101.6	113.5	196.9	106	45.4	65.1	—	66.7	44.1	40.9	145.3	20.6
80	103.2	104.8	116.8	188.9	106.4	40.5	63.8	—	66.9	45.8	42.6	148.5	20.6
85	109.5	111.1	123.2	206.4	111.1	40.5	65.1	—	68.3	49.2	46.1	154.8	20.6
90	115.9	117.5	129.5	212.7	117.5	40.5	65.1	—	68.3	55.2	52.4	158.8	17.4
95	117.7	120	132.1	222.3	112.7	40.5	65.1	—	68.3	50.8	47.6	172	17.4
100	125.4	127.8	139.7	228.6	122.2	40.5	65.1	—	68.3	60.3	57.2	171.7	20.6
125	165.1	167.5	184.4	304.8	146	41.4	77.3	—	80.5	71.9	68.8	254	20.6

TEL: 86-0335-8509423

MOB: 86-18630350089

E-MAIL:sales@depeseal.com

http://www.depeseal.com

ADD: 13-104, 29 Longhai Road, Economic and Technological Development Zone, Qinhuangdao City