

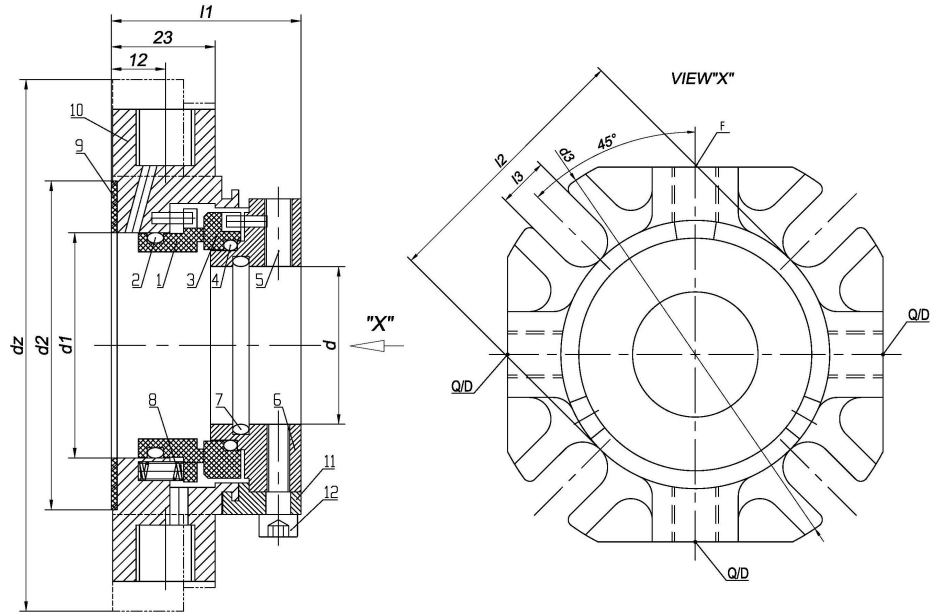
DEPESEAL MECHANICAL SEAL DEPESEAL mechanical sealing

E-MA290 type, replacement product of Eagle Burgmann MA290 type, External container mechanical seal

Temperature: -20~160°C

Speed: 20 m/s

Pressure: 1.6Mpa



- 1 O-ring
- 2 Stationary ring
- 3 Rotary ring
- 4 O-ring
- 5 Washer
- 6 Drive collar
- 7 Set screw
- 8 Stationary ring
- 9 O-ring
- 10 Spring

d	d1 Min	d1 Max	d2	Dz	l1	Dm	S
20	30	51	58	104	42	60	12
24	34	51	58	104	42	60	12
25	35	51	58	104	42	60	12
28	38	54	63	108	42	65	12
30	40	56	63	108	42	65	12
32	42	56	63	108	42	65	12
33	43	66	73	118	42	75	14
35	45	66	73	118	42	75	14
38	48	66	73	118	42	75	14
40	50	66	73	118	42	75	14
43	53	71	78	128	42	80	14
45	55	71	78	128	42	80	14
48	58	81	88	138	44	90	14
50	60	81	88	138	44	90	14
53	63	81	88	138	44	90	14
55	65	81	88	138	44	90	14
58	68	96	103	164	46	105	18
60	70	96	103	164	46	105	18
63	73	96	103	164	46	105	18
65	75	96	103	164	46	105	18
70	80	102	109	178	46	111	18
75	85	114	121	193	49	123	18
80	90	114	121	193	49	123	18
85	95	124	131	208	49	133	20
90	100	124	131	208	49	133	20
95	105	134	141	218	49	143	20
100	110	134	141	218	49	143	20