

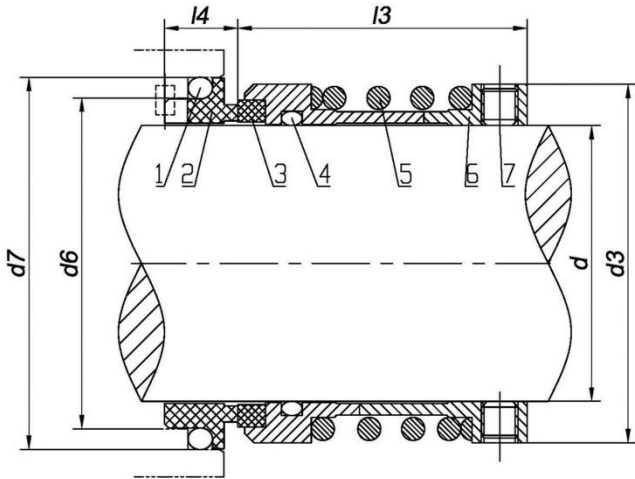
L type

Large spring type single mechanical seal

Temperature: -20~180°C

Speed: 15 m/s

Pressure: 1Mpa



- 1 O-ring
- 2 Stationary ring
- 3 Rotary ring
- 4 O-ring
- 5 Spring
- 6 Spring seat
- 7 Set screw

d	d3	d6	d7	l3	l4
20	34	29	35	41	13
22	36	31	37	41	13
24	38	33	39	43	13
25	39	34	40	43	13
28	42	37	43	45	13
30	44	39	45	45	13
32	46	42	48	45	13
33	47	42	48	45	13
35	49	44	50	49	13
38	54	50	56	53	13
40	56	52	58	55	13
43	59	55	61	55	13
45	61	57	63	55	13
48	64	60	66	55	13
50	66	62	68	60	13
53	69	65	71	61	13
55	71	67	73	61	13
58	76	70	79	63	16
60	78	72	81	63	16
63	81	76	84	63	16
65	84	77	86	67	16
68	87	81	90	67	16
70	90	83	92	68	16
75	95	88	97	72	16
80	100	96	105	72	16
85	107	101	110	77	16
90	112	106	115	77	16
95	119	111	120	82	16
100	124	116	125	82	16