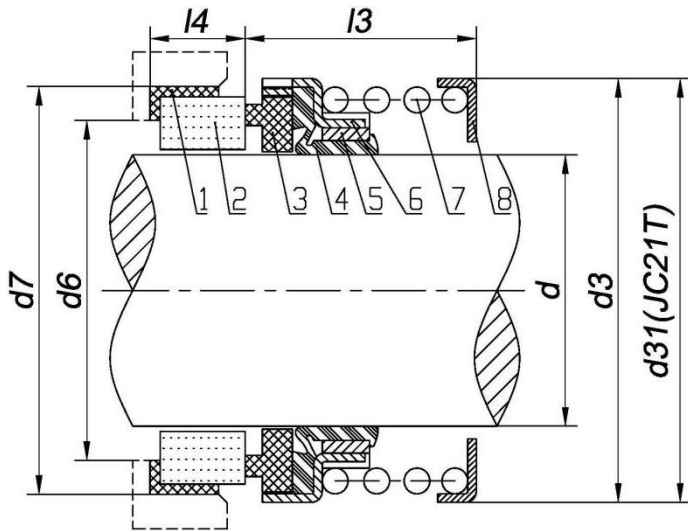


E-21 type, replacement product of John Crane 21 type, Rubber bellows type mechanical seal

Temperature: -40~+205°C

Speed: 13m/s

Pressure: 1Mpa



- 1 Rubber cup
- 2 Stationary ring
- 3 Rotary ring
- 4 Bellows
- 5 Drive collar
- 6 Spring collar
- 7 Spring
- 8 Spring seat

d(inch)	d	d3	d31	d6	d7	l3	l4
0.5	12.7	24	22.8	19.05	25.4	20.62	7.95
0.625	15.8	26.7	26.7	23.8	31.75	22.23	10.31
0.75	19.1	31.2	30.4	26.97	34.93	22.23	10.31
0.875	22.2	33.6	33.4	30.15	38.1	23.8	10.31
1	25.4	43.2	39.3	33.32	41.28	25.4	11.1
1.125	28.6	46.5	42	36.5	44.45	26.97	11.1
1.25	31.7	49.5	45.8	39.7	47.63	26.97	11.1
1.375	34.9	52.7	49.3	42.85	50.8	28.58	11.1
1.5	38.1	56	52.8	46.05	53.98	28.58	11.1
1.625	41.2	62.2	55.5	50.8	60.33	34.93	12.7
1.75	44.4	66	61	53.97	63.5	34.93	12.7
1.875	47.6	66	64	57.15	66.68	38.1	12.7
2	50.8	73	66	60.33	69.85	38.1	12.7
2.125	53.9	73.5	71.5	60.33	76.2	42.85	14.27
2.25	57.1	79.6	79.6	61.9	79.38	42.85	14.27
2.375	60.3	82	79.6	65.1	82.55	46.05	14.27
2.5	63.5	85	81.5	68.25	85.73	46.05	14.27
2.625	66.6	88.5	84.6	71.42	85.73	49.2	15.88
2.75	69.8	92.7	90	74.6	88.9	49.2	15.88
3	76.2	102	96.8	80.95	98.4	52.37	15.88