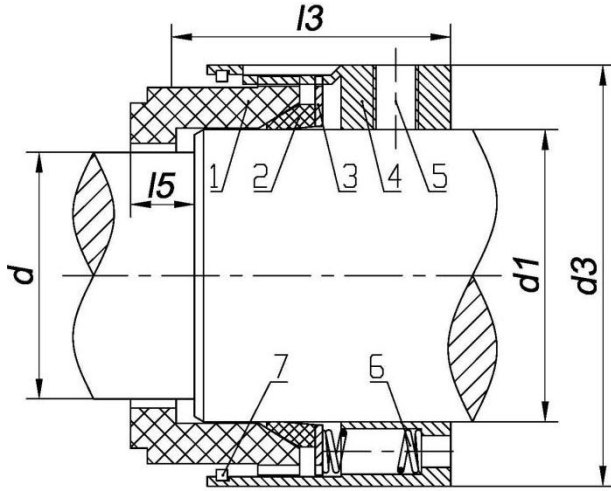


E-59B type, replacement product of John Crane 59B type, Rubber bellows type mechanical seal

Temperature: -100~+400°C

Speed: 25m/s

Pressure: 2.5Mpa



- 1 Rotary ring
- 2 PTFE sealing ring
- 3 Washer
- 4 Transmission sleeve
- 5 Set screw
- 6 Spring
- 7 Snap ring

d	d1	d3	l3	l5
14	18	32	30.5	6
16	20	34	30.5	6
18	22	36	31.5	6.5
20	24	38	31.5	6.5
22	26	40	31.5	6.5
24	28	42	34.2	6.7
25	30	44	34.5	7
28	33	47	37.5	7.5
30	35	49	38	8
32	38	54	38	8
33	38	54	38	8
35	40	56	38	8
38	43	59	39.5	10
40	45	61	39.5	10
43	48	64	39.5	10
45	50	66	39.5	10
48	53	69	39.5	10
50	55	71	44	11.5
53	58	78	44	11.5
55	60	80	44	11.5
58	63	83	49	11.5
60	65	85	49	11.5
63	68	88	49	11.5
65	70	90	49	11.5
70	75	95	55.5	13.5
75	80	104	55.5	13.5
80	85	109	55	13
85	90	114	60	13
90	95	119	60	13
95	100	124	60	13