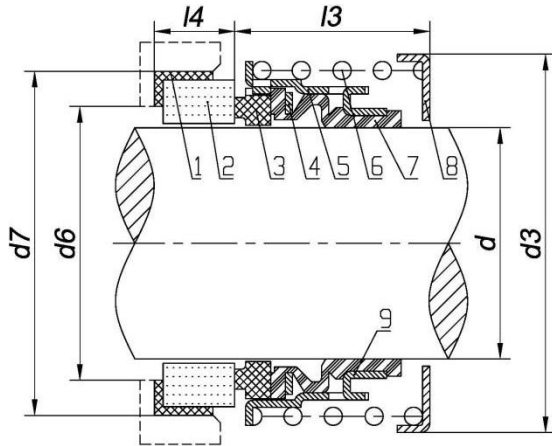


E-2 type, replacement product of John Crane 2 type, Rubber bellows type mechanical seal

Temperature: -20~+120°C

Speed: 15m/s

Pressure: 1.4Mpa



- 1 Rubber cup
- 2 Stationary ring
- 3 Rotary ring
- 4 Washer
- 5 Spring collar
- 6 Spring
- 7 Bellows
- 8 Spring holder
- 9 Drive collar

d(inch)	d	d3	d6	d7	l3	l4
0.5	12	30.14	19.05	25.4	20.64	7.93
	14	33.32	23.8	31.75	22.23	10.28
0.625	16	33.32	23.8	31.75	22.23	10.28
0.75	18	36.5	26.98	34.93	22.23	10.28
	20	39.67	30.15	38.1	23.8	10.28
0.875	22	39.67	30.15	38.1	23.8	10.28
	24	45.5	33.32	41.28	25.4	11.1
1	25	45.5	33.32	41.28	25.4	11.1
1.125	28	48.5	36.5	44.44	26.97	11.1
	30	52.37	37.9	47.63	26.97	11.1
1.25	32	52.37	37.9	47.63	26.97	11.1
	33	56	42.84	50.8	28.58	11.1
1.375	35	56	42.84	50.8	28.58	11.1
1.5	38	56	46.05	53.98	28.58	11.1
1.625	40	59.2	50.8	60.38	34.93	12.7
	43	67	53.97	63.5	34.93	12.7
1.75	45	69.85	53.97	63.5	34.93	12.7
1.875	48	73.03	57.15	66.68	38.1	12.7
	48	73.03	60.32	69.85	38.1	12.7
2	50	76.2	60.32	69.85	38.1	12.7
2.125	53	82.55	60.32	76.2	42.85	14.28
2.25	55	85.73	61.9	79.38	42.85	14.28
2.375	60	88.9	67.39	82.55	46.02	14.28
2.5	63	92.08	68.25	85.73	46.02	14.28
2.625	65	98.43	71.42	85.73	49.2	15.9
2.75	70	101.6	74.6	88.9	49.2	15.9
2.875	73	104.78	77.77	95.25	52.37	15.9
3	75	107.95	80.95	98.43	52.37	15.9
3.125	80	115.8	84.12	101.6	55.55	19.84
3.25		119.05	87.3	104.78	55.55	19.84
3.375	85	122.22	90.47	107.95	55.55	19.84
3.5		125.4	93.65	111.13	55.55	19.84
3.625	90	130.18	96.82	114.3	58.72	19.84
3.75	95	133.35	100	117.48	58.72	19.84
3.875		138.1	103.17	120.65	58.72	19.84
4	100	141.27	106.35	123.85	58.72	19.84
4.5	110	135			58.72	
4.75	120	145			72	