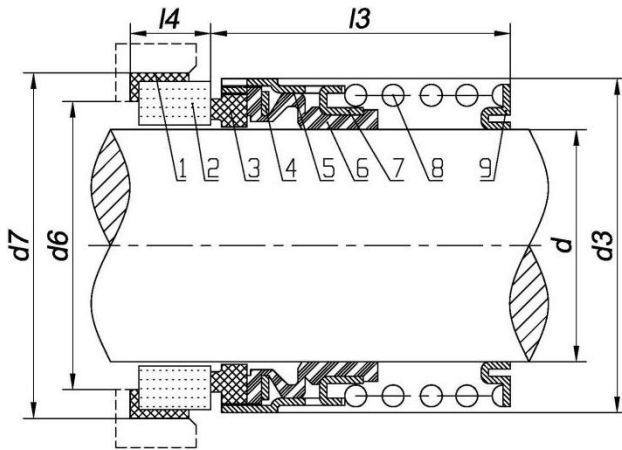


E-1 type, replacement product of John Crane 1 type, Rubber bellows type mechanical seal

Temperature: -20~+120°C

Speed: 15m/s

Pressure: 1.4Mpa



- 1 Rubber cup
- 2 Stationary ring
- 3 Rotary ring
- 4 Washer
- 5 Spring collar
- 6 Bellows
- 7 Drive collar
- 8 Spring
- 9 Spring holder

d(inch)	d	d3	d6	d7	l3	l4
0.5	12	23.8	19.05	25.4	30.16	7.93
	14	27.76	23.8	31.75	33.32	10.28
0.625	16	27.76	23.8	31.75	33.32	10.28
0.75	18	30.94	26.98	34.93	33.32	10.28
	20	34.11	30.15	38.1	34.93	10.28
0.875	22	34.11	30.15	38.1	34.93	10.28
	24	38.1	33.32	41.28	39.67	11.1
1	25	38.1	33.32	41.28	39.67	11.1
1.125	28	41.28	36.5	44.44	41.28	11.1
	30	46.02	39.7	47.63	41.28	11.1
1.25	32	46.02	39.7	47.63	41.28	11.1
	33	47.63	42.84	50.8	42.85	11.1
1.375	35	47.63	42.84	50.8	42.85	11.1
1.5	38	50.8	46.05	53.98	42.85	11.1
1.625	40	57.15	50.8	60.33	50.8	12.7
	43	60.33	53.97	63.5	50.8	12.7
1.75	45	60.33	53.97	63.5	50.8	12.7
1.875	48	63.5	57.15	66.68	53.98	12.7
2	50	66.68	60.32	69.85	53.98	12.7
2.125	53	71.42	60.32	76.2	60.33	14.27
2.25	55	74.6	61.9	79.38	60.33	14.27
2.375	60	77.77	67.39	82.55	63.5	14.27
2.5	63	80.95	68.25	85.73	63.5	14.27
2.625	65	85.73	71.42	85.73	69.85	15.88
2.75	70	88.9	74.6	88.9	69.85	15.88
2.875	73	90.08	77.77	95.25	73.3	15.88
3	75	95.25	80.95	98.43	73.3	15.88
3.125	80	101.6	84.12	101.6	79.38	19.84
3.25		104.78	87.3	104.78	79.38	19.84
3.375	85	107.95	90.47	107.95	79.38	19.84
3.5		111.13	93.65	111.13	79.38	19.84
3.625	90	114.3	96.82	114.3	82.55	19.84
3.75	95	117.48	100	117.48	82.55	19.84
3.875		120.65	103.17	120.65	82.55	19.84
4	100	123.83	106.35	123.85	82.55	19.84