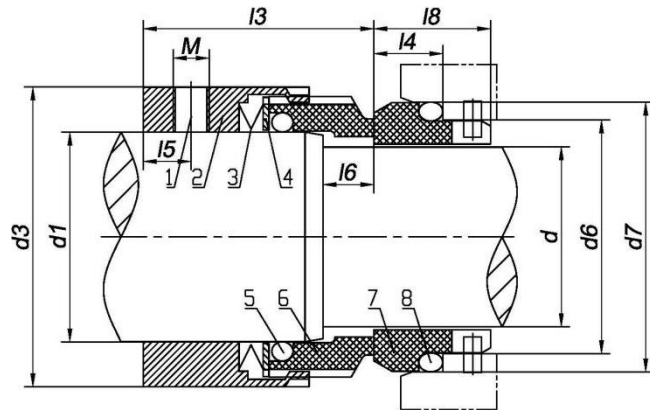


E-H7N type, replacement product of Eagle Burgmann H7N type

Temperature: -50~+220°C

Speed: 20 m/s

Pressure: 2.5Mpa



- 1 Set screw
- 2 Drive collar
- 3 Wave spring
- 4 Washer
- 5 O-ring
- 6 Rotary ring
- 7 Stationary ring
- 8 O-ring

d	d1	d3	d6	d7	d8	l3	l4	l8	l5	l6	M
14	18	33	21	25	3	32.5	10	17.5	6	8	M5
16	20	35	23	27	3	32.5	10	17.5	6	8	M5
18	22	37	27	33	3	33.5	11.5	19.5	7	8.5	M5
20	24	39	29	35	3	33.5	11.5	19.5	5.5	8.5	M5
22	26	41	31	37	3	33.5	11.5	19.5	8	8.5	M5
24	28	43	33	39	3	36	11.5	19.5	5.5	8.5	M6
25	30	45	34	40	3	36	11.5	19.5	5.5	8.5	M6
28	33	48	37	43	3	38.5	11.5	19.5	8	8.5	M6
30	35	50	39	45	3	38.5	11.5	19.5	8	8.5	M6
32	38	55	42	48	3	38.5	11.5	19.5	8	8.5	M6
33	38	55	42	48	3	38.5	11.5	19.5	8	8.5	M6
35	40	57	44	50	3	38.5	11.5	19.5	8	8.5	M6
38	43	60	49	56	4	38.5	14	22	8	9	M6
40	45	62	51	58	4	38.5	14	22	8	9	M6
43	48	65	54	61	4	38.5	14	22	8	9	M6
45	50	67	56	63	4	38.5	14	22	8	9	M6
48	53	70	59	66	4	38.5	14	22	8	9	M6
50	55	72	62	70	4	42.5	15	23	8	10	M6
53	58	79	65	73	4	42.5	15	23	9	10	M8
55	60	81	67	75	4	42.5	15	23	9	10	M8
58	63	84	70	78	4	47.5	15	23	9	10	M8
60	65	86	72	80	4	47.5	15	23	9	10	M8
63	68	89	75	83	4	47.5	15	23	9	10	M8
65	70	91	77	85	4	47.5	15	23	9	10	M8
70	75	99	83	92	4	52	18	26	10	10	M8
75	80	104	88	97	4	52	18	26	10	10	M8
80	85	109	95	105	4	51.8	18.2	26.2	10	9.8	M8
85	90	114	100	110	4	56.8	18.2	26.2	10	9.8	M8
90	95	119	105	115	4	56.8	18.2	26.2	10	9.8	M8
95	100	124	110	120	4	57.8	17.2	25.2	10	10.8	M8
100	105	129	115	125	4	57.8	17.2	25.2	10	10.8	M8