

E-155 & 155A type, replacement product of Eagle Burgmann BT-FN type

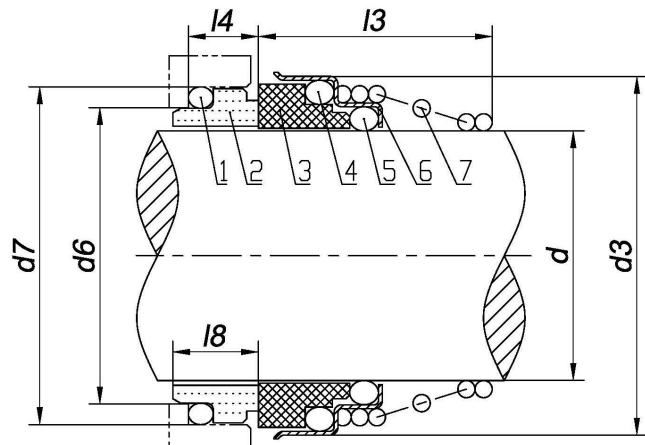
Temperature: -20~140°C

Speed: 10m/s

Pressure: 1Mpa



- 1 O-ring
- 2 Stationary ring
- 3 Rotary ring
- 4 O-ring
- 5 O-ring
- 6 Spring collar
- 7 Spring



155

d	d3	d6	d7	l3	l4	l8
10	20	14	18.1	15	5.5	7
11	22	16.5	20.6	18	5.5	7
12	22	16.5	20.6	18	5.5	7
13	25	19	23.1	22	6	7.5
14	25	19	23.1	22	6	7.5
15	29	21	26.9	22	7	9
16	29	21	26.9	23	7	9
17	29	21	26.9	23	7	9
18	33	25	30.9	24	8	9.5
19	33	25	30.9	25	8	9.5
20	33	25	30.9	25	8	9.5
21	38	30	35.4	25	8	9.5
22	38	30	35.4	25	8	9.5
23	38	30	35.4	27	8	9.5
24	38	30	35.4	27	8	9.5
25	40	33	38.2	27	8.5	9.5
28	46	38	43.3	29	9	11
29	46	38	43.3	30	9	11
30	46	38	43.3	30	9	11
32	46	38	43.3	30	9	11
33	50	45	53.5	39	11.5	13
35	50	45	53.5	39	11.5	13
38	55	52	60.5	39	11.5	13
40	55	52	60.5	39	11.5	13

155A

d	d3	d6	d7	l3	l4	l8
10	20	17	18.1	15	7	8.5
12	22	19	18.1	15	7	8.5
14	25	21	18.1	15	7	8.5
16	29	23	18.1	23	7	8.5
18	33	27	30.9	24	10	12
20	33	29	30.9	24	10	12
22	38	31	30.9	24	10	12
24	38	33	30.9	24	10	12
25	40	34	38.2	24	10	12
28	46	37	43.3	29	10	12
30	46	39	43.3	29	10	12
32	46	42	43.3	29	10	11.5
33	50	42	53.5	39	10	11.5
35	50	44	53.5	39	10	11.5
38	55	52	60.5	39	13	15
40	55	52	60.5	39	13	15