

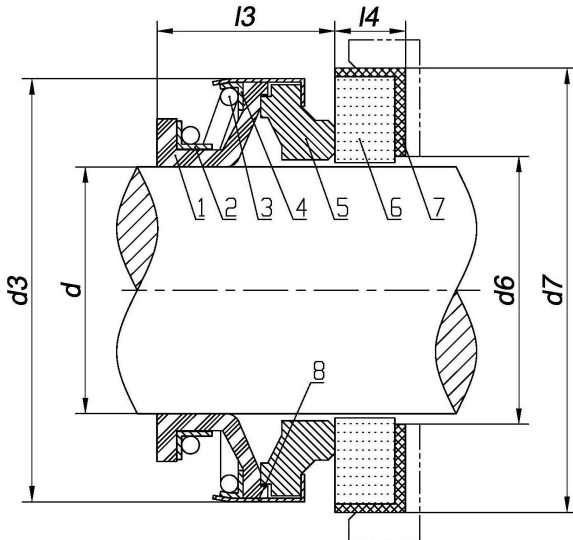
# DEPESEAL MECHANICAL SEAL DEPESEAL mechanical sealing

E-BT-AR type, replacement product of Eagle Burgmann BT-AR type, Rubber bellows type mechanical seal, Called 301 in China

Temperature: -20~120°C

Speed: 10m/s

Pressure: 0.6Mpa



- 1 Bellows
- 2 Drive collar
- 3 Spring
- 4 Locking ring
- 5 Rotary ring
- 6 Stationary ring
- 7 Rubber cup
- 8 Collar

d	d3	d6	d7	l3	l4
6	18	8	22	8	4
8S	20	10	22	11	4
8	24	10	26	11	8
3/8"	24	12	25.4	11	5.5
3/8"	24	12	25.4	11	7.5
10	24	12	26	11	8
11	24	13	26	11	8
12C	24	14	26	11	8
12	24	14	26	12.8	8
1/2"	24	15	25.4	12.8	7.5
13	24	15	26	12.8	8
14S	28	18	28.5	12.8	7.5
14L	28	18	28.5	15.3	7.5
14	32	16	29.5	12.8	8
15	32	17	29.5	12.8	8
16R	32	18	29.5	12.8	8
16	39	18	38	12.8	8
16	39	18	42	12.8	8
17	39	19	42	12.8	8
18	39	20	42	12.8	8

d	d3	d6	d7	l3	l4
19	39	21	42	12.8	8
20	39	22	42	12.8	8
20S	42	22	45	12.8	10
22	42	24	45	12.8	10
23	47	25	50	13.5	10
24	47	26	50	13.5	10
25R	42	27	50	13.5	10
25	47	27	50	13.5	10
26	47	29	50	13.5	10
27	47	30	50	13.5	10
28	54	31	57	15	10
30	54	33	57	22.2	10
32	54	35	57	24.2	10
35	60	38	63	16	10
38	65	41	68	18	12
40	65	43	68	18	12
45	70	48	73	20	12
50	85	53	88	23	15
60	105	63	110	30	15