

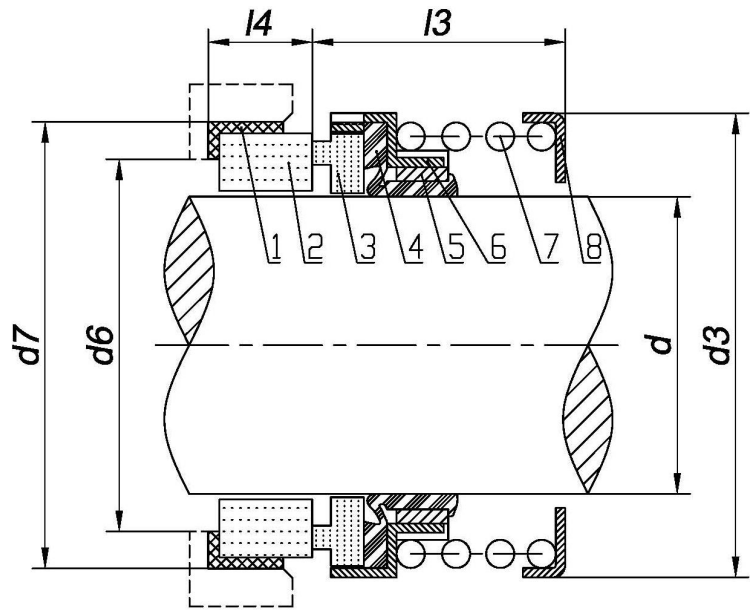
# DEPESEAL MECHANICAL SEAL DEPESEAL mechanical sealing

E-EA560 type, replacement product of Eagle Burgmann EA560 type, Rubber bellows type mechanical seal

Temperature: -20~100°C

Speed: 5 m/s

Pressure: 0.7Mpa



- 1 Rubber cup
- 2 Stationary ring
- 3 Rotary ring
- 4 Bellows
- 5 Drive collar
- 6 Spring collar
- 7 Spring
- 8 Spring collar

d	d3	d6	d7	l3	l4
8	18.2	13	21	11.2	7
9	18.2	16	24	16.2	7
10	20.6	16	24	16.2	7
11	20.6	16	24	16.2	7
12	21.8	17	26	17.2	7
13	21.8	17	26	17.2	7
14	26.4	21	28	18.2	7
15	26.4	21	28	18.2	7
16	26.4	22	32	19.2	8
17	28.5	22	32	19.2	8
18	29.5	25	35	19.2	8
19	29.5	25	35	19.2	8
20	31.6	27	38	20.2	8
22	33.6	29	40	20.2	8
25	39.6	32	44	20.2	9
28	45	34	46	31.2	9
30	46.6	38	50	22.2	9
32	46.6	40	54	24.2	9
35	50.8	44	58	26.2	10
38	54.3	46	60	27.2	10
40	57.3	48	64	28.2	10
45	61.3	52	66	30.2	10
50	67.8	58	72	32.2	10

d(inch)	d	d3	d7	l3	l4
0.375	9.5	23.5	22.22	22.2	6.4
0.5	12.7	26	25.4	22.2	6.4
0.625	15.8	30	31.75	23.8	8.7
0.75	19	32.5	34.92	23.8	8.7
0.875	22.2	37.5	38.1	25.4	8.7
1	25.4	44	41.27	27	9.5
1.125	28.5	48	44.45	28.6	9.5
1.25	31.7	50	47.62	28.6	9.5
1.375	34.9	54.5	58.8	30.2	9.5
1.5	38.1	58.5	53.97	30.2	9.5
1.625	41.2	64	60.32	36.5	11.1
1.75	44.4	67	63.5	36.5	11.1
1.875	47.6	71	66.67	39.7	11.1
2	58.8	73.5	69.85	39.7	11.1