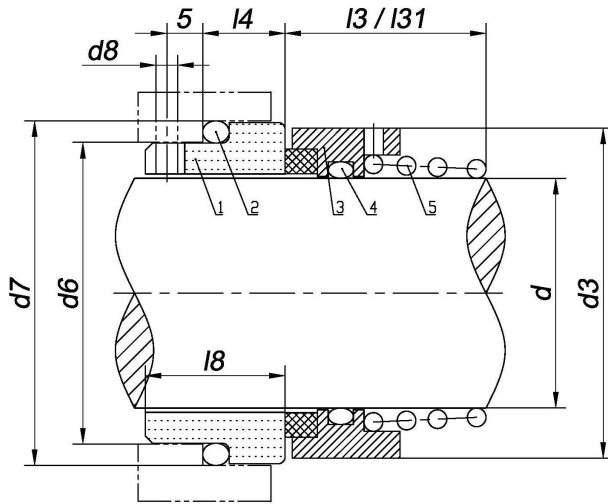


E-M37 type, replacement product of Eagle Burgmann M37 type

Temperature: -20~140°C

Speed: 10 m/s

Pressure: 1.2Mpa



- 1 Stationary ring
- 2 O-ring
- 3 Rotary ring
- 4 O-ring
- 5 Spring

d	d3	d6	d7	d8	l3	l31	l4	l8
10	20	17	21	3	16.9	—	10	17.5
12	22	19	23	3	17.4	—	10	17.5
14	24	21	25	3	17.4	16.5	10	17.5
16	26	23	27	3	19.5	16.5	10	17.5
18	31	27	33	3	20.5	18	11.5	19.5
20	34	29	35	3	22	19	11.5	19.5
22	36	31	37	3	23.5	20.5	11.5	19.5
24	38	33	39	3	25	22	11.5	19.5
25	39	34	40	3	26.5	23.5	11.5	19.5
28	42	37	43	3	26.5	24.5	11.5	19.5
30	44	39	45	3	25	24.5	11.5	19.5
32	46	42	48	3	28.5	28	11.5	19.5
33	47	42	48	3	—	—	11.5	19.5
35	49	44	50	3	28.5	28	11.5	19.5
38	54	49	56	4	32.2	31	14	22
40	56	51	58	4	34.7	34	14	22
43	59	54	61	4	—	—	14	22
45	61	56	63	4	39.2	36.5	14	22
48	64	59	66	4	44.7	42	14	22
50	66	62	70	4	45.7	43	15	23
53	69	65	73	4	—	—	15	23
55	71	67	75	4	49	47	15	23
58	78	70	78	4	52	50	15	23
60	79	72	80	4	53	51	15	23
63	83	75	83	4	—	—	15	23
65	85	77	85	4	54.3	52	15	23
68	88	81	90	4	55.3	52.7	18	26
70	90	83	92	4	56.3	54	18	26
75	98	88	97	4	56.3	54	18	26
80	103	95	105	4	59.3	58	18.2	26.2