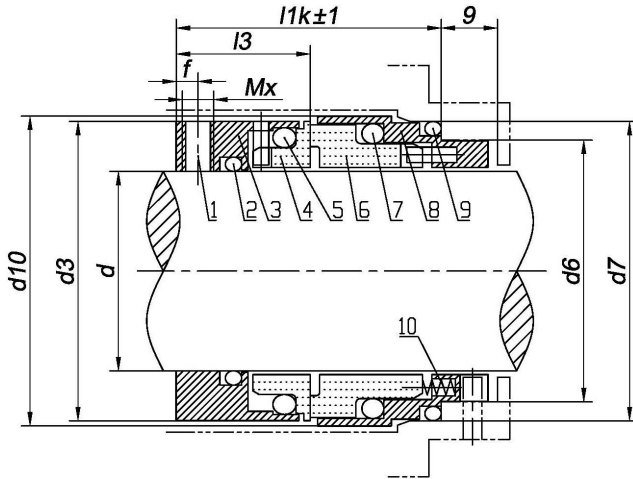


E-HRN type, replacement product of Eagle Burgmann HRN type

Temperature: -40~220°C

Speed: 20 m/s

Pressure: 2.5Mpa



- 1 Set screw
- 2 O-ring
- 3 Drive collar
- 4 Rotary ring
- 5 O-ring
- 6 Stationary ring
- 7 O-ring
- 8 Retainer
- 9 O-ring
- 10 Spring

d	d3	d6	d7	d10	l3	l1k	f	M
18	33	27	34.7	33	19.5	37.5	3	M4
20	35	29	36.7	35	19.5	37.5	3	M4
22	37	31	38.7	37	19.5	37.5	3	M4
24	39	33	40.7	39	20.5	40	3.5	M5
25	40	34	41.7	40	20.5	40	3.5	M5
28	43	37	44.7	43	21.5	42.5	3.5	M5
30	45	39	46.7	45	21.5	42.5	3.5	M5
32	48	42	49.7	48	21.5	42.5	3.5	M5
33	48	42	49.7	48	21.5	42.5	3.5	M5
35	50	44	51.7	50	21.5	42.5	3.5	M5
38	56	49	57.7	56	24	45	4	M6
40	58	51	59.7	58	24	45	4	M6
43	61	54	62.7	61	24	45	4	M6
45	63	56	64.7	63	24	45	4	M6
48	66	59	67.7	66	24	45	4	M6
50	70	62	71.7	70	25	47.5	4	M6
53	73	65	74.7	73	25	47.5	4	M6
55	75	67	76.7	75	25	47.5	4	M6
58	78	70	80.5	78	28	52.5	4	M6
60	80	72	82.5	80	28	52.5	4	M6
63	83	75	85.5	83	28	52.5	4	M6
65	85	77	87.5	85	28	52.5	4	M6
68	90	81	92.5	90	28	52.5	4	M6
70	92	83	94.5	92	34	60	6	M8
75	97	88	100.5	97	34	60	6	M8
80	105	95	108.5	105	34	60	6	M8
85	110	100	113.5	110	34	60	6	M8
90	115	105	118.5	115	39	65	10	M8
95	120	110	123.5	120	39	65	10	M8
100	125	115	128.5	125	39	65	10	M8