

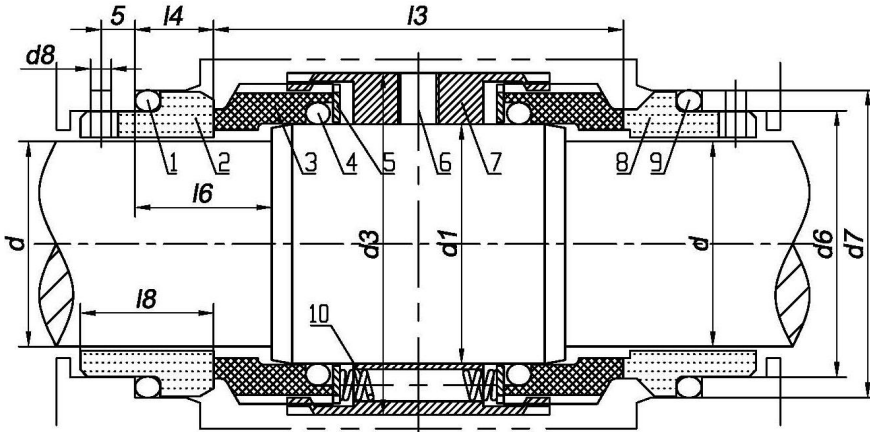
DEPESEAL MECHANICAL SEAL DEPESEAL mechanical sealing

E-H74-D type, replacement product of Eagle Burgmann H74-D type, dual seal mechanical seal

Temperature: -50~+220°C

Speed: 20 m/s

Pressure: 8Mpa



- 1 O-ring
- 2 Stationary ring
- 3 Rotary ring
- 4 O-ring
- 5 Washer
- 6 Set screw
- 7 Drive collar
- 8 Stationary ring
- 9 O-ring
- 10 Spring

d	d1	d3	d6	d7	d8	l6	l3	l4	l8
14	18	33	21	25	3	18	53	10	17.5
16	20	35	23	27	3	18	53	10	17.5
18	22	37	27	33	3	20	53	11.5	19.5
20	24	39	29	35	3	20	53	11.5	19.5
22	26	41	31	37	3	20	53	11.5	19.5
24	28	43	33	39	3	20	54	11.5	19.5
25	30	45	34	40	3	20	54	11.5	19.5
28	33	48	37	43	3	20	54	11.5	19.5
30	35	50	39	45	3	20	54	11.5	19.5
32	38	55	42	48	3	20	56	11.5	19.5
33	38	55	42	48	3	20	56	11.5	19.5
35	40	57	44	50	3	20	57	11.5	19.5
38	43	60	49	56	4	23	57	14	22
40	45	62	51	58	4	23	57	14	22
43	48	65	54	61	4	23	57	14	22
45	50	67	56	63	4	23	56	14	22
48	53	70	59	66	4	23	56	14	22
50	55	72	62	70	4	25	63	15	23
53	58	79	65	73	4	25	67	15	23
55	60	81	67	75	4	25	67	15	23
58	63	84	70	78	4	25	74	15	23
60	65	86	72	80	4	25	74	15	23
63	68	89	75	83	4	25	79	15	23
65	70	91	77	85	4	25	68	15	23
70	75	99	83	92	4	28	76.4	18	26
75	80	104	88	97	4	28	76.4	18	26
80	85	109	95	105	4	28	76	18.2	26.2
85	90	114	100	110	4	28	76	18.2	26.2
90	95	119	105	115	4	28	76	18.2	26.2
95	100	124	110	120	4	28	76	17.2	25.2
100	105	129	115	125	4	28	76	17.2	25.2

TEL: 86-0335-8509423

MOB: 86-18630350089

E-MAIL:sales@depeseal.com

<http://www.depeseal.com>

ADD: 13-104, 29 Longhai Road, Economic and Technological Development Zone, Qinhuangdao City